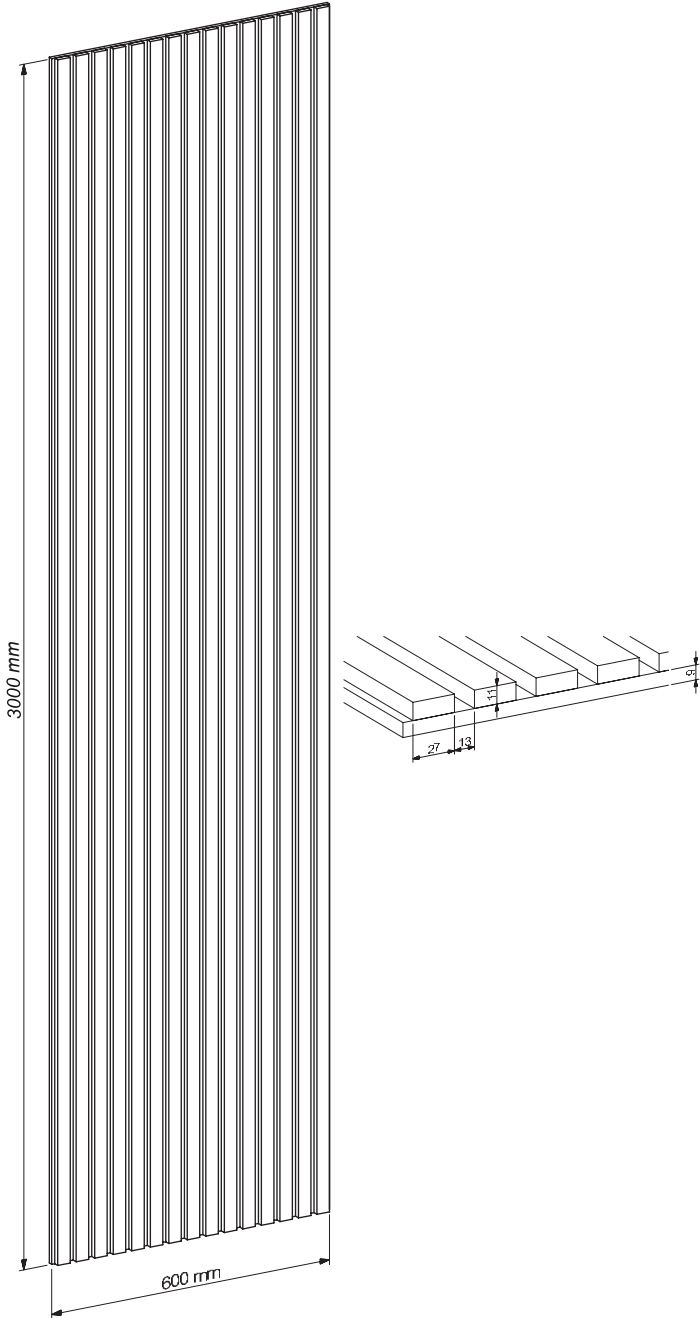


Swissmark Akustikpaneel Montage

Figur 1:



Figur 2:

